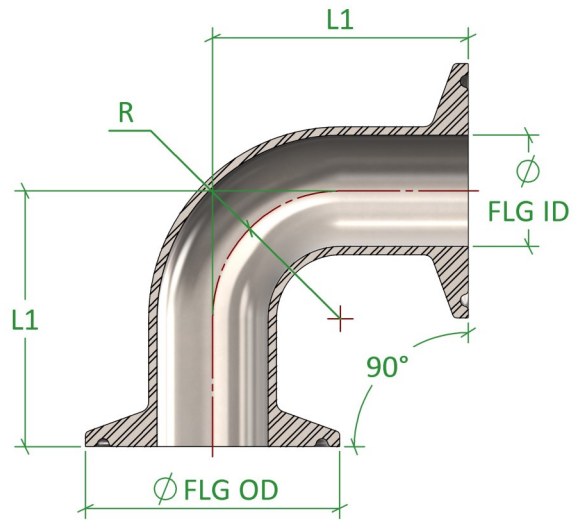


Clamp Ended Fittings

BS / Imperial 90° Bends



| | | | |
|-----------------------|---|-----------------------------|---|
| Standard | BS4825-2 + BS4825-3 | Certification | EN10204 3.1 |
| Connections | TC Ferrule Ended | Associated Parts | Clamp Ended Tee's, TC Ferrules BS4825-3 |
| Material | 316L Stainless Steel EN 1.4404 | Associated Standards | BS4825-3 / DIN32676-C |
| Surface Finish | Dull Polish, Welds Removed, (Approx. 1.0Ra µm) | Options | Other Sizes Available, Duplex Materials |
| Remarks | Standard BS4825-2 Fittings with BS4825-3 TC Ferrules Welded & Polished, No Welds Visible. | | |

Clamp Ended Fittings, BS/Imperial 90° Bends

| Size (inch) | FLG OD (mm) | FLG ID (mm) | R (mm) | L1 (mm) | Part Code |
|-------------|-------------|-------------|--------|---------|-------------|
| 0.500" | 25.40 | 9.40 | 19.00 | 41.30 | C90.BS.0050 |
| 0.750" | 25.40 | 15.70 | 28.60 | 41.30 | C90.BS.0075 |
| 1.000" | 50.50 | 22.10 | 38.10 | 65.00 | C90.BS.0100 |
| 1.500" | 50.50 | 34.80 | 57.15 | 85.00 | C90.BS.0150 |
| 2.000" | 64.00 | 47.50 | 76.20 | 110.00 | C90.BS.0200 |
| 2.500" | 77.50 | 60.20 | 95.25 | 135.00 | C90.BS.0250 |
| 3.000" | 91.00 | 72.90 | 114.30 | 155.00 | C90.BS.0300 |
| 4.000" | 119.00 | 97.38 | 152.40 | 195.00 | C90.BS.0400 |

Published Data Is Given in Good Faith. We Reserve the Right To, Without Warning Change the Dimensions When Not In Conflict With The Published Standard

Flowsource Process Fittings Ltd

Unit 4 Marrtree Business Park, Cedar Road, Sowerby, Thirsk, North Yorkshire, YO7 3FF, United Kingdom
 [T] 01535 274 316 - [e] sales@flowsourcepf.com - [w] www.flowsourcepf.com

FLWSOURCE
PROCESS FITTINGS